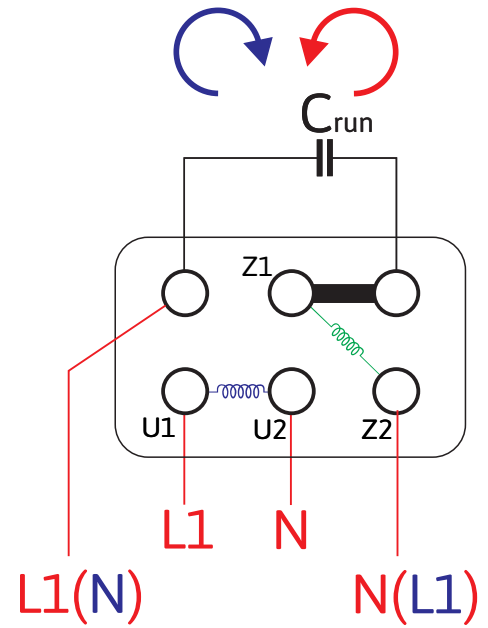
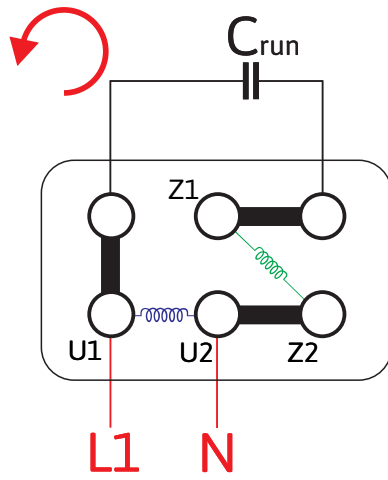
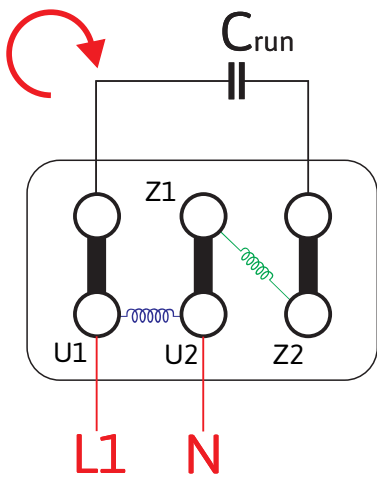
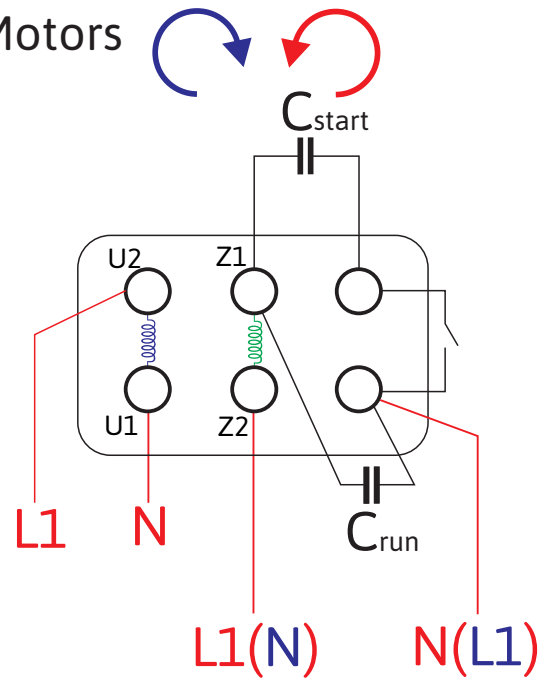
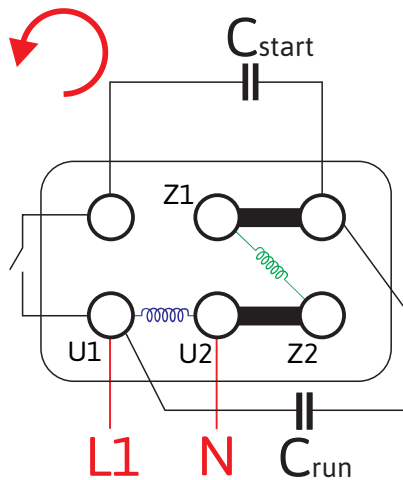
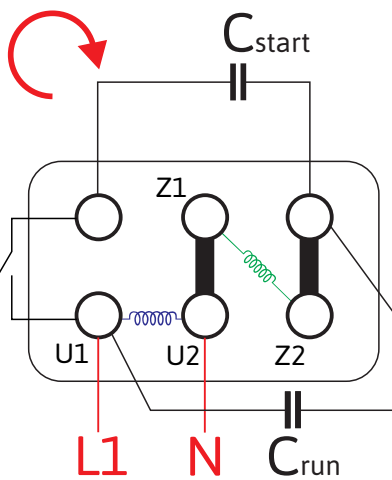




### 1EMPC - Permanent Capacitor Motors



### 1EMPCC - Capacitor Start Capacitor Run Motors



When a change of direction of rotation is required and a change-over switch is to be used it will be necessary to reconnect the termination on the terminal block. The reconnection must be carried out by qualified electrician. *Exico cannot be held responsible for a damage caused by incorrect wiring !!*

**Note !**  
Frequent stop/starts and/or changing of the direction of rotation will damage the motor's capacitor's and winding. Three-phase motors with single-phase frequency inverter should be used for frequent on/off switching.