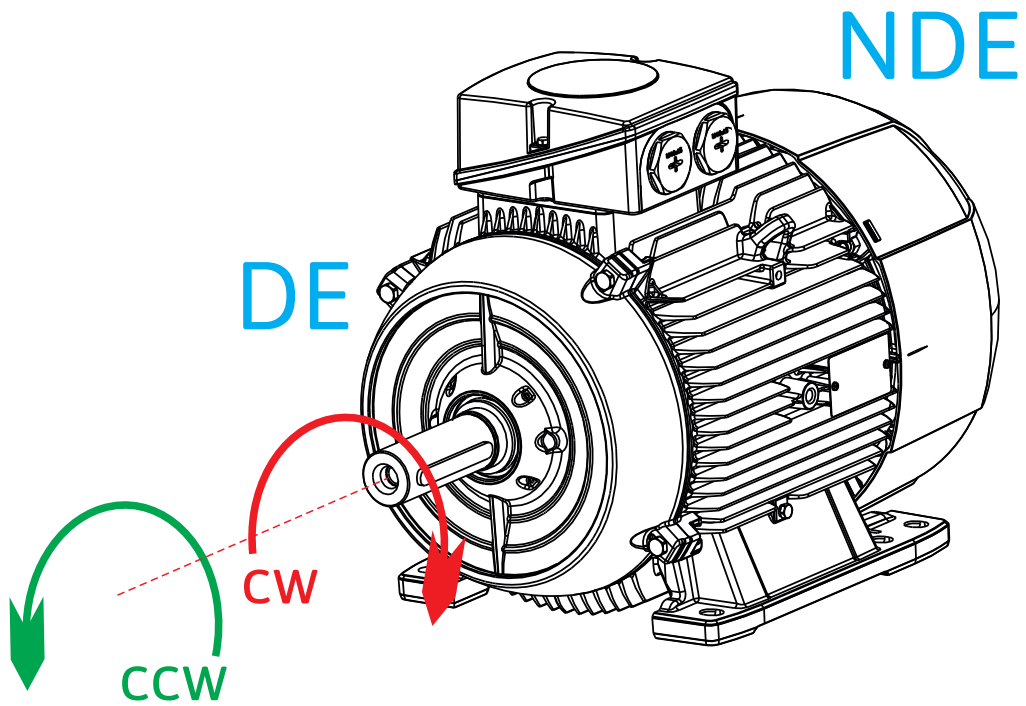




DEFINITION

Direction of rotation is defined when viewing the DE shaft.



DE - Drive End
NDE - Non Drive End

cw - clockwise
ccw - counter clockwise