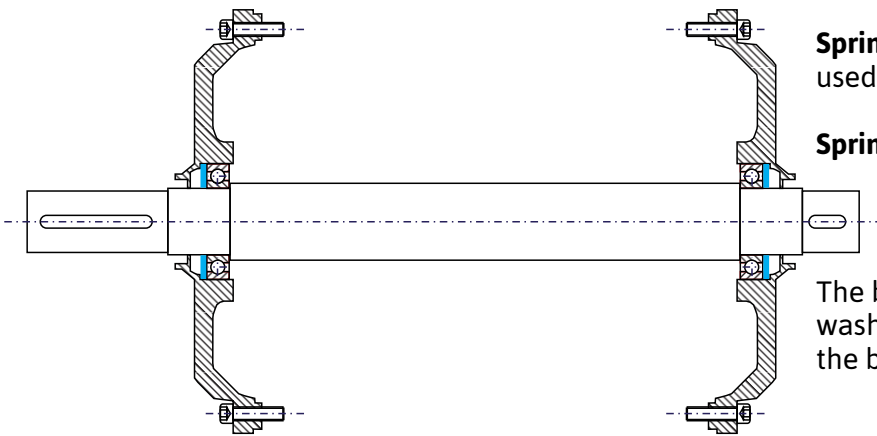




Bearings pre-loaded with Spring Washers (shaft axial movement allowed)



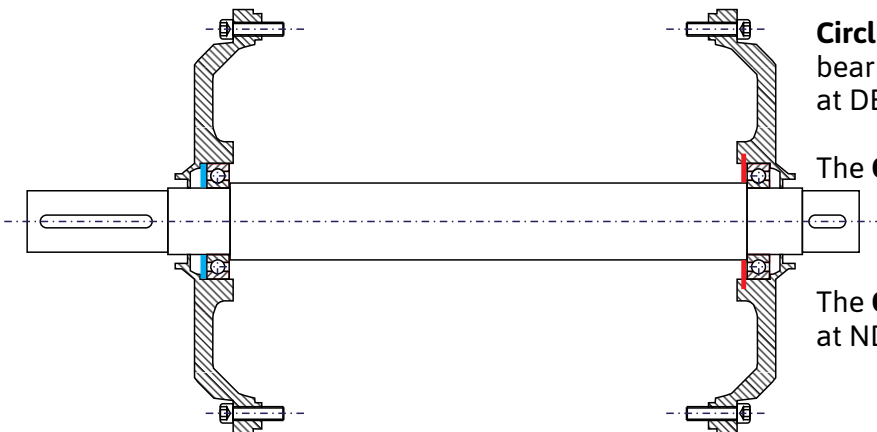
Spring washer (or wavy washer) used for bearing pre-loading.

Spring washer is marked in **BLUE**



The bearings are not located (fixed). The Spring washers can be behind both bearings or just behind the bearing at NDE or just behind the bearing at DE.

Bearings located with a Circlip (shaft axial movement reduced to dilatation)



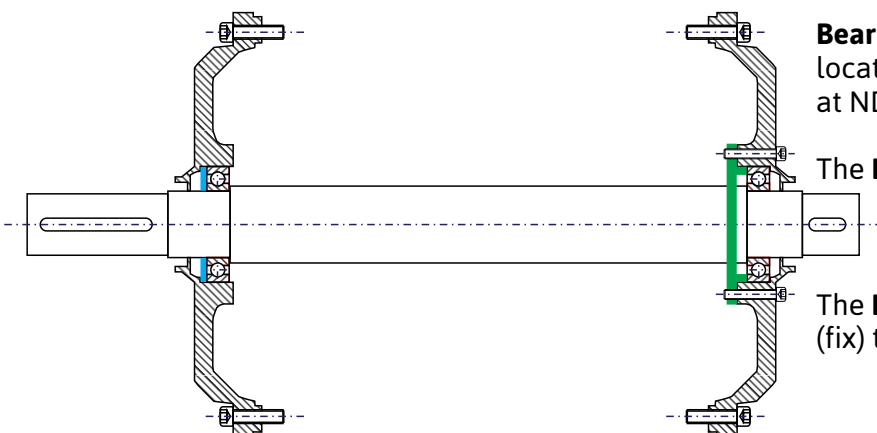
Circlip for location (fixing) the bearing at NDE (spring washer at DE)

The **Circlip** is marked in **RED**



The **Circlip** can be used to locate (fix) the bearing at NDE or at DE.

Bearings located with a Bearing Retainer plate (shaft axial movement reduced to dilatation)



Bearing retainer plate for location (fixing) the bearing at NDE (spring washer at DE)

The **Bearing retainer plate** is marked in **GREEN**



The **Bearing retainer plate** can be used to locate (fix) the bearing at NDE or at DE.