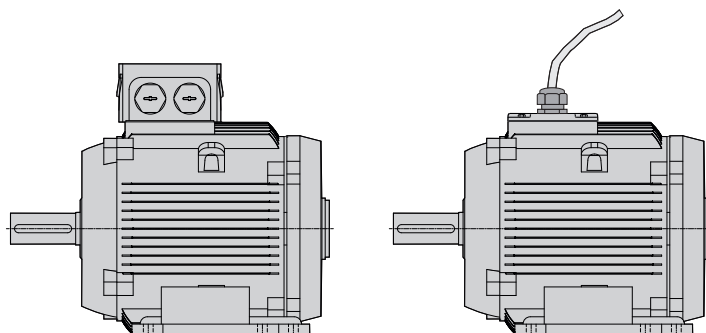




Amount of Cooling Air necessary to cool TEAO (IC 418) MEZ Electric Motors



Size	POLES			
	2pole	4pole	6pole	8pole
	Amount of air at 50Hz (litres per second)			
63	11.3	5.7	3.8	2.9
71	23.0	11.5	7.7	5.8
80	31.1	15.5	10.3	7.8
90	52.5	26.3	17.5	13.2
100	66.5	33.0	22.0	16.5
112	83.2	49.5	33.0	24.8
132	126.4	80.3	53.5	40.2
160	210.0	153.5	102.3	76.8

Size	POLES			
	2pole	4pole	6pole	8pole
	Amount of air at 60Hz (litres per second)			
63	13.6	6.8	4.6	3.4
71	27.6	13.8	9.2	6.9
80	37.3	18.6	12.4	9.3
90	63.0	31.6	21.0	15.8
100	79.8	39.6	26.4	19.8
112	99.8	59.4	39.6	29.7
132	151.7	96.4	64.2	48.2
160	252.0	184.2	122.8	92.1