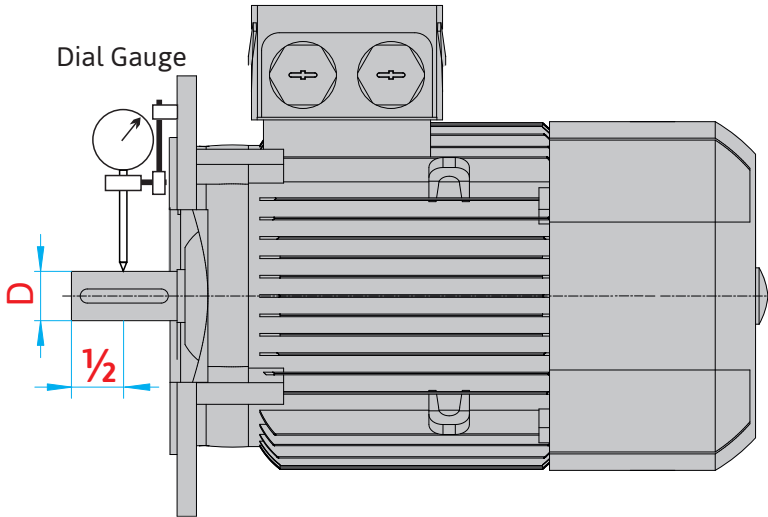




Runout tolerances, shaft and flange concentricity & axial eccentricity are according to IEC 60072

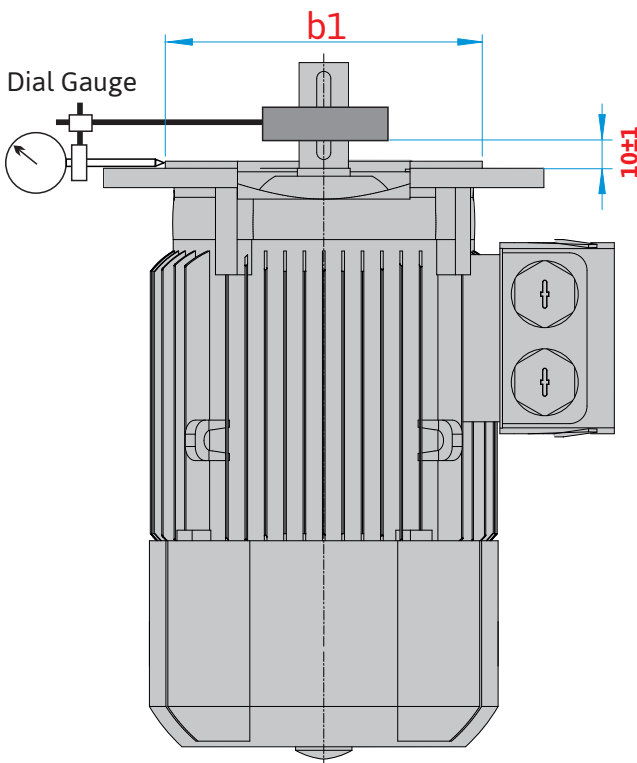
Measurement of Shaft to Flange Face Runout Tolerance



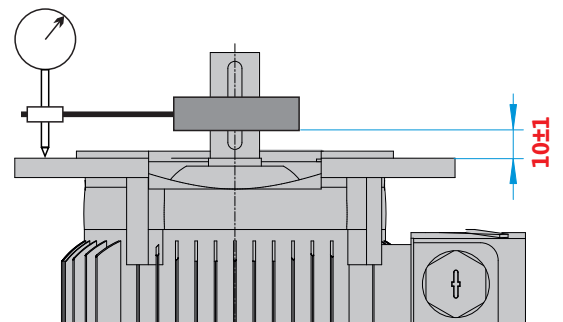
Shaft Diameter	Standard N (normal) mm	Optional R (reduced) mm
up to 10	0.030	0.015
over 10 to 18	0.035	0.016
over 18 to 30	0.040	0.021
over 30 to 50	0.050	0.025
over 50 to 80	0.060	0.030
over 80 to 120	0.070	0.035
over 120 to 180	0.080	0.040
over 180 to 250	0.090	0.045
over 250 to 315	0.100	0.050
over 315 to 400	0.110	0.055
over 400 to 500	0.125	0.063
over 500 to 630	0.140	0.070

Concentricity and axial eccentricity tolerance of the flange face to the shaft axis (referred to the flange spigot)

Measurement of Shaft to Flange Spigot Concentricity Tolerance



Measurement of Flange Face to Shaft Runout



Flange Spigot Diameter (b1)	Standard N (normal) mm	Optional R (reduced) mm
up to 22	0.050	0.025
over 22 to 40	0.060	0.030
over 40 to 100	0.080	0.040
over 100 to 230	0.100	0.050
over 230 to 450	0.125	0.063
over 450 to 800	0.160	0.080
over 800 to 1400	0.200	0.100
over 1400 to 2000	0.250	0.125
over 2000 to 2240	0.315	0.160